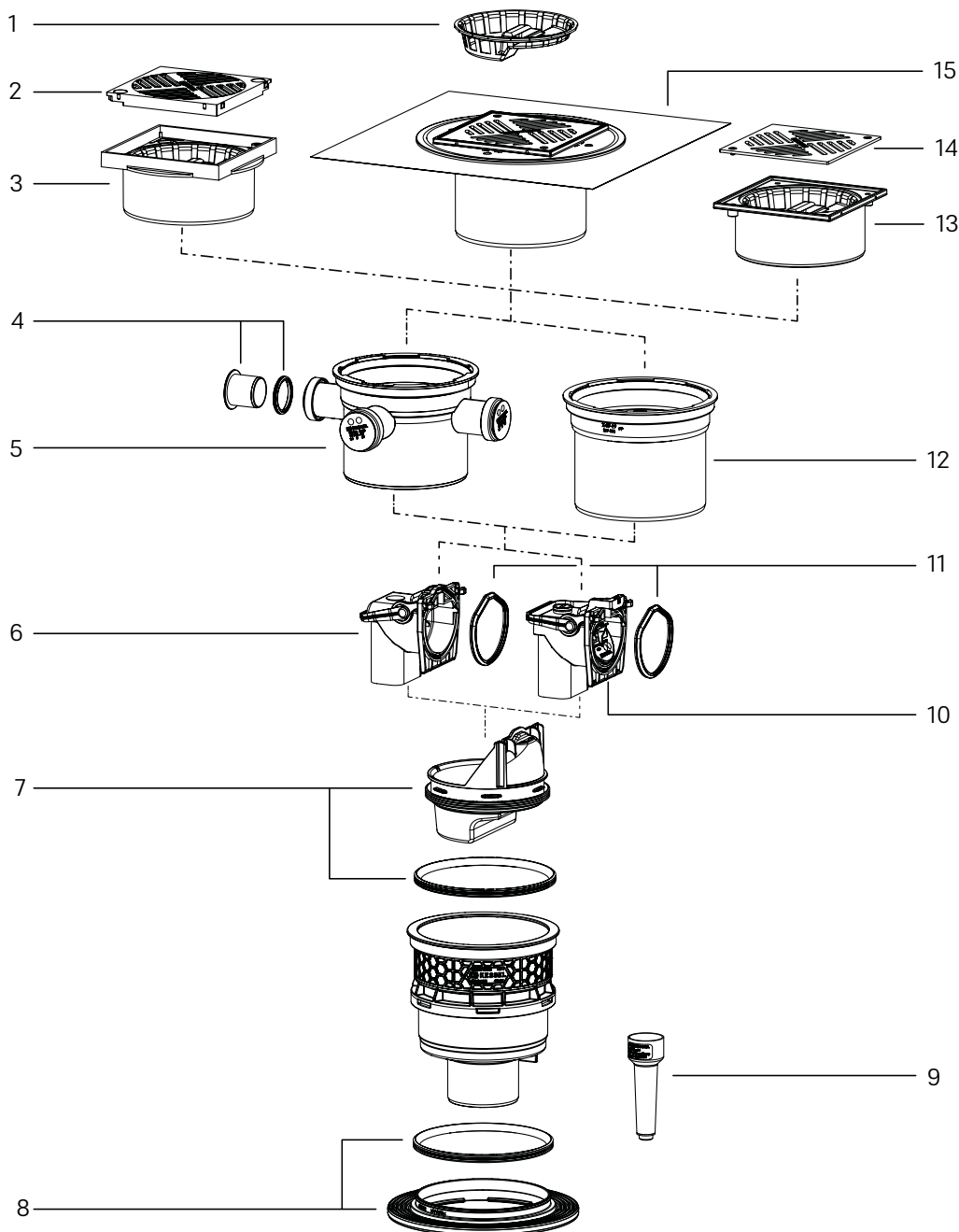


Universale Plus basement drain

Installation in the floor slab, with backwater valve



Item	Designation	Art.no.
1	Sludge basket, polymer	27 604
2	Slotted cover made of polymer, 188 × 188 mm, black	27 613
3	Upper section 200 × 200 mm, black	27 714
4	Socket plug and lip seal	681 034
5	Extension section 3 inlets DN 50	48 966
6	Odour trap	27 605
7	Engineering system base and lip seal	681 035
8	Waterproof sealing flange with lip seal	48 967

Item	Designation	Art.no.
9	Test funnel with seal	70 214
10	Backwater valve with odour trap	27 603
11	Seal Ø 117 mm	680 280
12	Extension section system 200, height: 175 mm	48 988
13	Upper section 200 × 200 mm	48 954
14	Slotted cover 187 × 187 mm, stainless steel, K 3	27 643
15	Upper section Variofix slotted cover stainless steel, incl. waterproofing membrane	48 968