

Product group

Coalescence separator

 **KESSEL**

Coalescence separator

EasyOil free

NS 3 / NS 6
free standing



Made in Germany

www.kessel.com

Coalescence separator *EasyOil free* NS 3 and NS 6, class I, Ø 1000

for free-standing installation according to EN 858

EN 858

Installation:

For free standing installation

Consisting of:

Integrated sludge trap and self-actuated closure lock, calibrated for light liquids with densities between 0.85 to 0.95 g/cm³.
 With removable coalescence filter insert.
 Completely water tight to top of cover, resistant against aggressive wastewaters, certified structural test.
 Corrosion free HDPDE

Inlet and outlet Ø

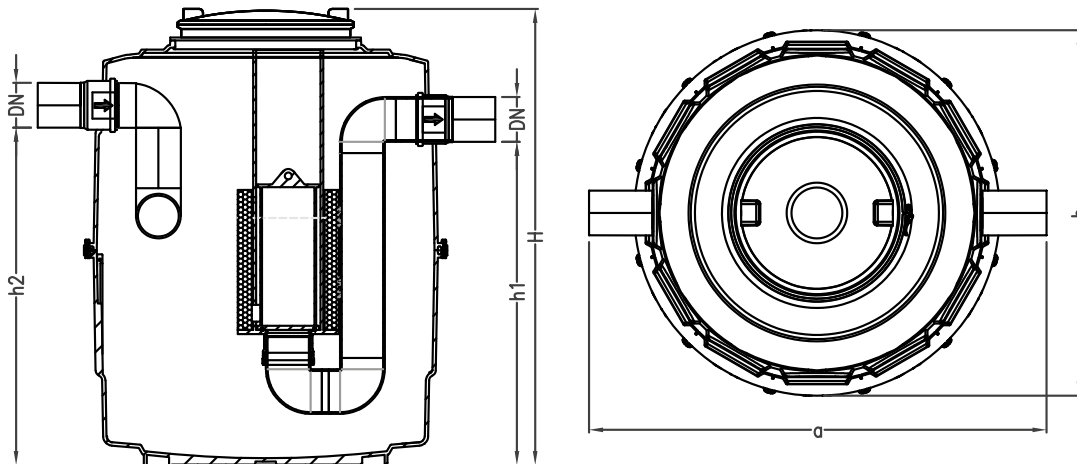
for connection pipes:

PE-HD (according to EN 12666-1),
 PVC pipe (according to EN 1401-1),
 PP or AS.

Delivery: Completely assembled

EasyOil free

NS	Art. no.
NS 3	99 703.10F
NS 6	99 706.06F



NS	DN	Outer diameter Ø (mm)	Cover Ø (mm)	a (mm)	b (mm)	h1 (mm)	h2 (mm)	H (mm)	Weight	Sludge trap capacity	Oil storage capacity	Total Volume
3	100	110	630	1550	1322	1055	1105	1615	210 kg	300 l	150 l	850 l
6	150	160	630	1580	1322	1155	1205	1615	220 kg	600 l	180 l	880 l

Ø = Outer diameter