

## Engineering system base *Aqualift F XL Mono / Duo* Dry installation, for minimum installation depth



TÜV Rheinland Germany type tested and monitored EN 12050-1

**Tank volume:** 335 liters  
**Pump volume:** 160 liters

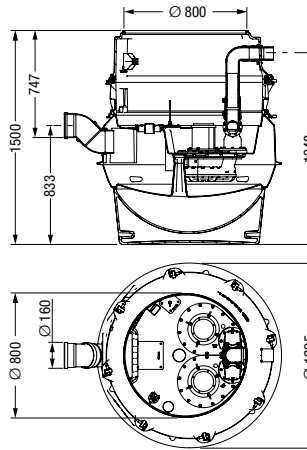
**Polyethylene system base** for underground installation, resistant to aggressive media. With  $\varnothing$  160 mm inlet. For connection to  $\varnothing$  800 mm upper sections. Handles groundwater depths up to 3.000 mm.

With **single or twin removable wastewater pump(s)** with multi-vane impeller for wastewater with or without sewage. Dry installation. With pneumatic level measurement. Pressure pipe  $\varnothing$  90 mm outside diameter (welded PE pipe is to be used for the pressure pipe), including backflow preventer and closure valve on pressure pipe side. Power cable length: 10 m.

### Control unit

With control unit with self-diagnosis system (SDS), battery buffering and logbook function, control unit is splashproof (IP 54). 230 V-versions ready to plug in.

- Installation:** in combination with upper section  $\varnothing$  800 page 141
- Accessories:** page 158 – 161
- Note:** page 137 (60 Hz/400 V)



### Mono version with one pump

SPF pump	Voltage	Art. no.
1400-S3	230 V	<b>874 20 12</b>
1500-S3	400 V	<b>874 20 13</b>
3000-S3	400 V	<b>874 20 14</b>
4500-S3	400 V	<b>874 20 15</b>

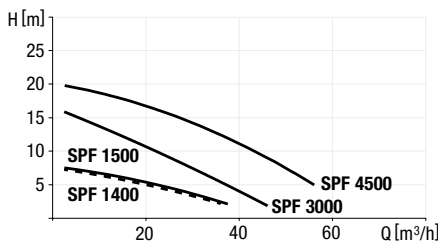
### Duo version with two pumps

SPF pump	Voltage	Art. no.
1400-S3	230 V	<b>874 20 16</b>
1500-S3	400 V	<b>874 20 17</b>
3000-S3	400 V	<b>874 20 18</b>
4500-S3	400 V	<b>874 20 19</b>
1400-S1	230 V	<b>874 20 20</b>
1500-S1	400 V	<b>874 20 21</b>
3000-S1	400 V	<b>874 20 22</b>
4500-S1	400 V	<b>874 20 23</b>

Engineering systems base *Aqualift F XL* in combination with an upper section  $\varnothing$  800



### Pumping capacity



Pump type	Voltage	Amperage	Input Power (P1)	Power (P2)	Pumping capacity	Pumping height
SPF 1400-S1/S3-100/50%*	230 V	7.3 A	1.6 kW	1.1 kW	38 m³/h	7 m
SPF 1500-S1/S3-100/50%*	400 V	2.7 A	1.4 kW	1.1 kW	40 m³/h	8 m
SPF 3000-S1/S3-100/50%*	400 V	5.4 A	3.2 kW	2.7 kW	47 m³/h	16 m
SPF 4500-S1/S3-100/50%*	400 V	7.5 A	4.5 kW	3.7 kW	55 m³/h	20 m

\*Definition of S1 and S3-pumps see page 97