

Shower channel *Linearis Infinity 60*

with odour trap with water sealing height 24 mm

The narrow *Linearis Infinity* channel for walk-in showers is suitable for indoor linear drainage for household and commercial use. The channel profile made of AISI 316L stainless steel can be individually shortened and can be extended straight or at three (30, 45 and 90 degree) angles. The drain body made of PP is equipped with sound and settlement absorbers. The channel contains a clip-on flange with factory-mounted waterproofing membrane to EN 1253-1 and DIN 18534-1-W3-I. The channel profile can be pushed in the lengthwise and transverse direction in the clip-on flange to level out construction tolerance. Open seepage water openings, without flooding of the waterproofing level in the event of backwater.

Version:

Type of waterproofing layer: factory-mounted waterproofing membrane

Seepage opening: open

Water exposure class in accordance to DIN 18534-1

(up to and including): W3-I

Sealing water height: 24 mm

General characteristics:

Nominal size (Ø): 40 mm

Drain body:

Length: 264 mm / Width: 111 mm

Min. design height: 60 mm

Outlet nominal size (Ø): 40 mm

Material of drain body: PP

Socket version: lateral

Coverage features:

Cover material: AISI 316L stainless steel

Min. flooring height: 11 mm / Max. flooring height: 25 mm

Load class: K 3 (EN 1253-1)

Width: 45 mm / Length: ... mm

Surface: ...

Discharge rate (l/s):

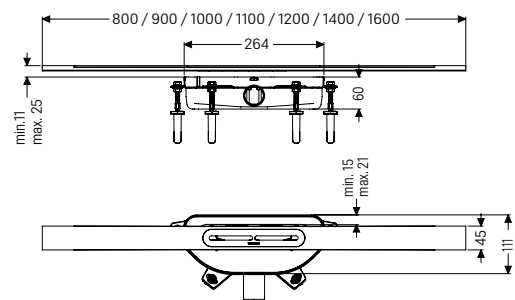
with 10 mm threshold: 0.4 l/s,

with 20 mm threshold: 0.5 l/s

System 125



New



Odour trap with sealing water height 24 mm

Channel length in mm	Art. no.
----------------------	----------

Surface: stainless steel, brushed

800	45 100.08
900	45 100.09
1000	45 100.10
1100	45 100.11
1200	45 100.12
1400	45 100.14
1600	45 100.16

Surface: stainless steel, polished

800	45 101.08
900	45 101.09
1000	45 101.10
1100	45 101.11
1200	45 101.12
1400	45 101.14
1600	45 101.16

Surface: Black, brushed

800	45 102.08
900	45 102.09
1000	45 102.10
1100	45 102.11
1200	45 102.12

Surface: Copper, brushed

800	45 103.08
900	45 103.09
1000	45 103.10
1100	45 103.11
1200	45 103.12

Surface: Bronze, brushed

800	45 104.08
900	45 104.09
1000	45 104.10
1100	45 104.11
1200	45 104.12

