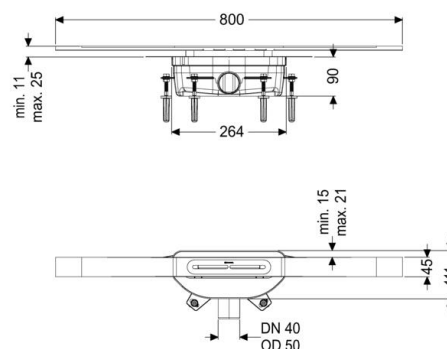


Data sheet

Shower chan. Linearis Infinity 90 L: 800 mm, DN50, Brushed SST



Article information

article number: 45200.08
 EAN code: 4026092093535
 Price group: 10

Product advantages

- Channel profile made of 316 stainless steel
- Including Sound and settlement absorbers
- No flooding of the waterproofing level in the event of water build-up

Description

The narrow Linearis Infinity channel for walk-in showers is suitable for indoor linear drainage for household and commercial use. The channel profile made of 316 stainless steel can be extended straight or at three (30, 45 and 90 degree) angles. The drain body made of PP is equipped with sound and settlement absorbers. These reduce operating noise and can compensate for subsidence in the floor structure. The channel contains a clip-on flange with a factory-mounted waterproofing membrane according to DIN EN 1253-1 and DIN 18534-1-W3-I. The channel profile can be pushed in the lengthwise and transverse direction in the clip-on flange to compensate for construction tolerances. Including an odour trap with a 50 mm water seal. Open seepage water openings, without flooding of the waterproofing level in the event of build-up.

General features

Nominal size (DN) 50
 Odour trap with 50 mm water seal

Version

Water exposure class in accordance to DIN 18534-1 (up to and including) W3-I
 Sealing water height 50 mm
 Discharge rate (l/s) with 10 mm threshold 0.6
 Discharge rate (l/s) with 20 mm threshold 0.8

Dimensions

Net weight 2.84 kg
 Gross weight 3 kg
 Min. design height 90 mm
 Vertically adjustable yes
 Length 264 mm
 Width 111 mm
 Packaging dimension: length 1112 mm
 Packaging dimension: width 256 mm
 Packaging dimension: height 110 mm

Tank/drain body

Outlet nominal size (OD) 50 mm
 Outlet nominal size (DN) 50
 Material of drain body PP
 Socket version lateral

Coverage features

Type of cover	Stainless steel cover
Cover material	316 stainless steel
Width of cover	45 mm
Length of cover	800 mm
Min. flooring height	11 mm
Surface	Brushed SST
Locking	placed
Load class	K 3 (EN 1253-1)
Max. flooring height	25 mm
Shape of upper section	square