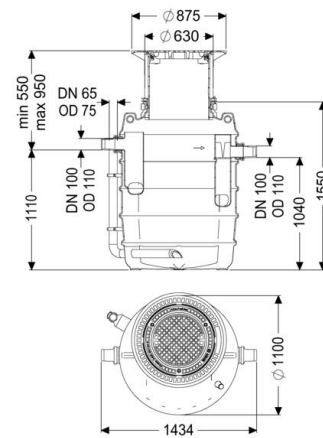


Data sheet

## Grease separator EasyClean ground NS 4, Direct, 550-950 mm, D, left



### Article information

article number: 93004.80D-DL  
EAN code: 4026092094877  
Price group: 60

### Product advantages

- Low odour and clean disposal
- Defined disposal point
- Complete emptying of the separator

### Description

The separator for greasy wastewater is suitable for installation in the ground and comes without metallic components in the tank. The collecting tank made of permanently resistant polymer (PE) is equipped with an integrated sludge trap and has a rounded base for fast and clean disposal. Access for cleaning and maintenance work is possible via one or several service access covers. A direct disposal pipe socket is available for odour-reduced manual disposal. A load distribution slab must be installed on site for load class D. The reinforcement drawings are available from KESSEL. 20 year polyethylene warranty.

### General features

Material  
Installation situation  
Delivery state  
Tightness

PE  
underground installation  
Installation-ready (connection parts must be connected on site)  
odour-tight and surface water resistant

### Version

Note on installation depth  
Direction of flow  
Disposal variant  
Nominal size (NS)  
Disposal system  
Type of disposal  
Load-bearing capacity (DIN 19901)

Installation in the ground, frost-free depth 800 mm  
left  
Direct  
4  
Disposal pipe  
manual  
E4

### Dimensions

Net weight  
Gross weight  
Groundwater resistant from lower edge of base section  
Diameter  
Installation depth  
Length  
Width  
Packaging dimension: length  
Packaging dimension: width  
Packaging dimension: height

130 kg  
137 kg  
500 mm  
648 mm  
550|900 mm  
1380 mm  
1106 mm  
900 mm  
900 mm  
2365 mm

#### Tank/drain body

Distance pipe bottom outlet to tank bottom	1040 mm
Distance pipe bottom inlet to tank bottom	1110 mm
Outlet nominal size (DN)	100
Inlet nominal size (DN)	100
Connection inlet/outlet sockets	PE-HD pipes in accordance with DIN 19537, PVC-KG pipes in accordance with DIN 19534, PP or AS
Clear width of entry (LW)	600 mm

#### Coverage features

Type of cover	Cover plate
Cover material	Grey iron
Colour of cover	black
Load class	D 400 (EN 124)
Tightness	odour-tight and surface water resistant

Separator contents	370 l
Contents of sludge trap	400 l
Storage quantity of grease	160 l
Storage quantity of light liquid	160 l