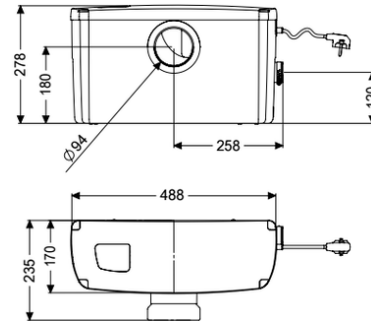
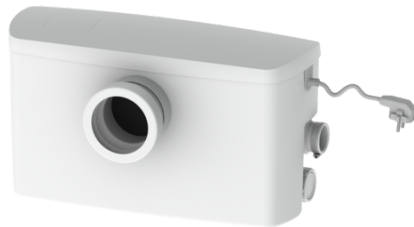


Lifting station Minilift F Free-standing set-up



Article information

Item no.: 28520
 GTIN: 4026092072899
 Price group: 20

Advantages

- High-performance cutting unit SharkTwister
- Intelligent control technology
- Easy maintenance

Description

The ready to plug in small lifting station for faecal and faecal-free wastewater is suitable for the wastewater drainage of individual toilets. The collection tank made of polymer (ABS) is equipped with a backflow preventer, an activated carbon filter, an alarm function, a horizontal inlet DN 100 and two horizontal inlets DN 40. The integrated control unit controls the small lifting station via pneumatic level measurement.

Variant

| | |
|---------------------------|-------------|
| Type of system: | Single unit |
| Backwater protection: | integrated |
| Pressure pipe connection: | horizontal |

General characteristics

| | |
|-------------------------|----------------------------|
| Colour: | white |
| Standard: | EN 12050-3 |
| Type of wastewater: | with sewage |
| Installation situation: | free-standing installation |
| Delivery state: | plug-in ready |

Dimensions

| | |
|---------------|---------|
| Net weight: | 7,33 kg |
| Gross weight: | 7,53 kg |
| Length: | 488 mm |
| Width: | 237 mm |
| Height: | 285 mm |

| | |
|---|----------------------------------|
| Packaging dimension: | length |
| Packaging dimension: | width |
| Packaging dimension: | height |
| Tank/drain body | |
| Pressure pipe connection (OD): | 28 mm |
| Distance from centre of outlet pipe to tank bottom: | 108 mm |
| Distance from centre of inlet pipe to tank bottom: | 180 mm |
| Inlet nominal size (DN): | 110 mm |
| Inlet nominal size (DN): | 100 mm |
| Inlet type: | 3 |
| Pumping volume: | 4 l |
| Tank volume: | 11 l |
| Pumping device | |
| Number of pumps: | 1 |
| Connection type: | Schuko (earthed contact) 2-pin |
| Rated current: | 2,8 A |
| Length of mains cable for pump: | 1,6 m |
| Self-diagnosis system (SDS): | I |
| Protection class control unit: | IP 44 |
| DSC: | integrated |
| Max. temperature (permanent) of conveyed material: | 35 °C |
| Max. pumping height: | 6,4 m |
| Speed: | 2900 U/min |
| Power P1: | 0,65 kW |
| Power P2: | 0,35 kW |
| Operating mode: | S3 - 30 % |
| Type of pump connection cable: | H03 VV-F 3G 0.75 mm ² |
| Impeller type: | Macerator |
| Control | |
| Type of level measurement: | pneumatic |
| Operating voltage: | 230 V |
| Connection type: | Schuko (earthed contact) 2-pin |
| Rated current: | 2,8 A |