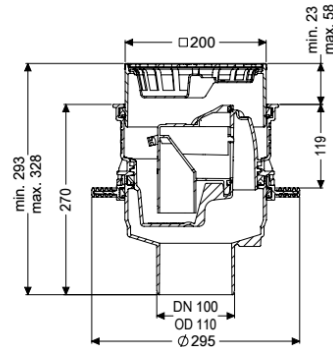


Universal Plus basement drain ver., SST, Odour trap, Waterpr.concrete



Article information

Item no.: 29141
 GTIN: 4026092096901
 Price group: 10

Advantages

- Sustainable due to use of recycled material
- Inlets above the floor slab, no penetration required
- Vertical outlet for easy installation and easy access to the main drainage pipe

Description

The polymer Universal Plus basement drain is used for drainage of non-faecal wastewater and is equipped with a removable odour closure and a sludge bucket. Including temporary protective cover. The drain is pressure-waterproof up to 0.6 bar (MFPA Leipzig tested) and radon-tight (IAF Radioökologie GmbH tested).

Variant

Contents of sludge trap:	yes
Waterproof flange:	Pre-assembled at the factory
Discharge rate (l/s) with 10 mm backwater:	1,6
Discharge rate (l/s) with 20 mm backwater:	2,3

General characteristics

Colour:	black
Standard:	EN 1253
Nominal size (DN):	100
Type of wastewater:	without sewage
Installation situation:	floor slab installation

Dimensions

Net weight:	3,63 kg
Gross weight:	4,04 kg

Diameter:	295 mm
Cutout dimension, width:	310 mm
Cutout dimension, length:	310 mm
Adjustment range:	23 - 80
Installation depth:	285 - 340 mm
Type of height adjustability:	vertically adjustable upper section
Height:	270 mm
Packaging dimension:	length
Packaging dimension:	width
Packaging dimension:	height
Tank/drain body	
Outlet nominal size (OD):	110 mm
Outlet nominal size (DN):	100 mm
Socket version:	vertical
Coverage features	
Type of cover:	Slotted cover made of stainless steel
Cover material:	Stainless steel 14301
Colour of cover:	silver
Width of cover:	200 mm
Height of cover:	25 mm
Length of cover:	200 mm
Load class:	K 3 (EN 1253-1)
Contents of sludge trap:	yes
Odour trap:	included