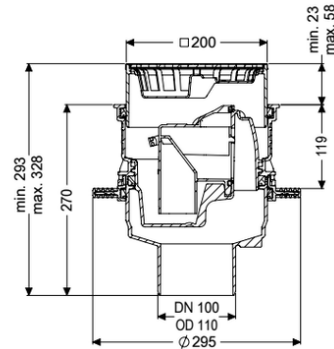


Universal Plus basement drain ver., SST, Odour trap, Waterpr.concrete



Article information

Item no.: 29141
 GTIN: 4026092096901
 Price group: 10

Advantages

- Sustainable due to use of recycled material
- Inlets above the floor slab, no penetration required
- Vertical outlet for easy installation and easy access to the main drainage pipe

Description

The polymer Universal Plus basement drain is used for drainage of non-faecal wastewater and is equipped with a removable odour closure and a sludge bucket. Including temporary protective cover. The drain is pressure-waterproof up to 0.6 bar (MFPA Leipzig tested) and radon-tight (IAF Radioökologie GmbH tested).

Variant

| | |
|--|------------------------------|
| Contents of sludge trap: | yes |
| Waterproof flange: | Pre-assembled at the factory |
| Discharge rate (l/s) with 10 mm backwater: | 1,6 |
| Discharge rate (l/s) with 20 mm backwater: | 2,3 |

General characteristics

| | |
|-------------------------|-------------------------|
| Colour: | black |
| Standard: | EN 1253 |
| Nominal size (DN): | 100 |
| Type of wastewater: | without sewage |
| Installation situation: | floor slab installation |

Dimensions

| | |
|---------------|---------|
| Net weight: | 3,63 kg |
| Gross weight: | 4,04 kg |

| | |
|---------------------------|-------------------------------------|
| Diameter: | 295 mm |
| Cutout dimension, width: | 310 mm |
| Cutout dimension, length: | 310 mm |
| Vertical installation: | 23 - 80 |
| Installation depth: | 285 - 340 mm |
| Vertical adjustment: | vertically adjustable upper section |
| Height: | 270 mm |
| Packaging dimension: | length |
| Packaging dimension: | width |
| Packaging dimension: | height |

| | |
|---------------------------|----------|
| Tank/drain body | |
| Outlet nominal size (OD): | 110 mm |
| Outlet nominal size (DN): | 100 mm |
| System: | vertical |

Coverage features

| | |
|--------------------------|---------------------------------------|
| Type of cover: | Slotted cover made of stainless steel |
| Cover material: | Stainless steel 14301 |
| Colour of cover: | silver |
| Width of cover: | 200 mm |
| Height of cover: | 25 mm |
| Length of cover: | 200 mm |
| Load class: | K 3 (EN 1253-1) |
| Contents of sludge trap: | yes |
| Odour trap: | included |