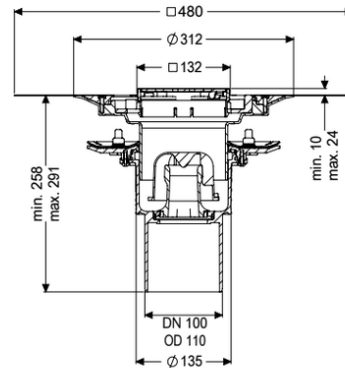
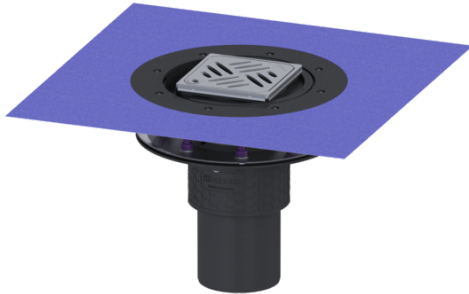


Practicus floor drain press.seal. DN 100, vert., Waterpr layer, Des grat



Article information

Item no.: 45219.53
 GTIN: 4026092052488
 Price group: 10

Advantages

- Hygiene: hygienic, absolutely corrosion-free and durable material
- Sound insulation: outstanding sound insulation effect confirmed by the Fraunhofer Institute
- Fire protection: combinable with the Fire-Kit for fire and smoke protection

Description

The Practicus polymer floor drain is used for point drainage and is equipped with a pressure sealing flange as well as a removable odour trap, a lip seal and a temporary protective cover. Including telescopic height-adjustable upper section made of ABS. The drain meets particular sound insulation requirements in accordance with the measurements of the Fraunhofer Institute in Stuttgart. The pressure sealing flange with bolts and screws made of stainless steel is used for the clamping or welding of bitumen and polymer bitumen sheets as well as for polymer and elastomer sealing sheets. The outlet socket is suitable for connection to SML cast iron pipes. With connection option for equipotential bonding.

Variant

System:	125
Waterproofing layer on the upper section:	Enclosed sealing collar to be glued (bd) according to DIN 18534
Waterproofing layer on the drain body:	Press sealing flange (suitable for creating watertight seals)
Sealing water height:	50 mm
Discharge rate (l/s) with 20 mm backwater:	2,1

General characteristics

Standard:	EN 1253-1
Nominal size (DN):	100
Outer diameter (OD):	110 mm
Inlet max. scoring (DN):	Z-19.53-2414,Z-19.17-1719
Dimensions	
Vertical adjustment:	10 - 23 mm
Net weight:	3,77 kg
Gross weight:	4,76 kg
Vertical adjustment:	vertically adjustable upper section
Length:	273 mm
Width:	273 mm
Packaging dimension:	length
Packaging dimension:	width
Packaging dimension:	height
Tank/drain body	
Number of outlets:	1
Connection inlet/outlet sockets:	The outlet spigot is suitable for connection to SML pipes.
Material of drain body:	PP
System:	vertical
Coverage features	
Type of cover:	Design cover
Cover material:	Stainless steel 14301
Colour of cover:	silver
Width of cover:	120 mm
Length of cover:	120 mm
Frame material:	Stainless steel 14301
Cover locking:	Lock & Lift
Load class:	L 15 (EN 1253-1)
Grating colour:	Kessel
Slip resistance class:	R9 according to DIN 51130; C according to DIN 51097
Rim length:	132 mm
Rim material:	132 mm
Upper section:	adjustable in three dimensions
Upper section material:	ABS
Odour trap:	included