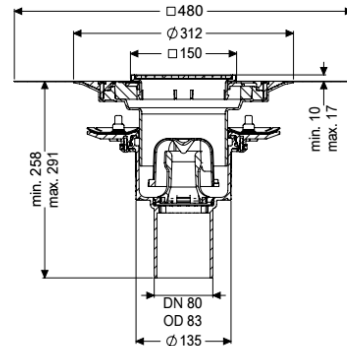
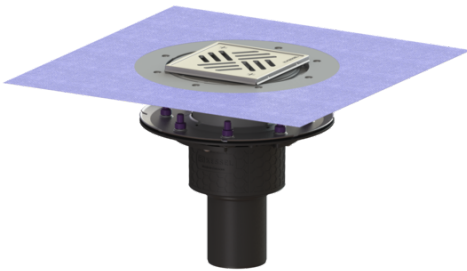


Ecoguss project drain, press. fl. DN 80, vert., Variofix, Slotted cover



Article information

Item no.: 48883.51
 GTIN: 4026092053232
 Price group: 40

Advantages

- Scientifically confirmed sound protection effect
- Highest fire protection standards

Description

The Ecoguss project drain is used for point drainage and is equipped with a pressure sealing flange as well as a removable odour trap, a lip seal and a temporary protective cover. The recyclable composite material Ecoguss meets the highest noise protection requirements, is temperature-resistant, resistant to aggressive media, and has a permanently corrosion-free surface. It is also briefly flammable from 100 to 400 degrees Celsius. The pressure sealing flange with bolts and screws made of stainless steel is used for the clamping or welding of bitumen and polymer bitumen sheets as well as for polymer and elastomer sealing sheets. Only the sealing sheets tested by the manufacturer may be used for watertight seals. The outlet socket is suitable for connection to SML cast iron pipes. Separate equipotential bonding is not necessary.

| | |
|---|---|
| Variant | |
| System: | 125 |
| Waterproofing layer on the upper section: | Enclosed sealing collar to be glued (bd) according to DIN 18534 |
| Waterproofing layer on the drain body: | Press sealing flange (suitable for creating watertight seals) |
| Sealing water height: | 50 mm |
| General characteristics | |
| Standard: | EN 1253-1 |
| Nominal size (DN): | 80 |
| Outer diameter (OD): | 83 mm |
| Approval: | Z-19.53-2414,Z-19.17-1719 |

Dimensions

| | |
|-------------------------------|-------------------------------------|
| Net weight: | 4,25 kg |
| Gross weight: | 5,24 kg |
| Diameter: | 273 mm |
| Type of height adjustability: | vertically adjustable upper section |
| Length: | 273 mm |
| Width: | 273 mm |
| Packaging dimension: | length |
| Packaging dimension: | width |
| Packaging dimension: | height |

Tank/drain body

| | |
|-------------------------|----------|
| Number of outlets: | 1 |
| Material of drain body: | Ecoguss |
| Socket version: | vertical |

Coverage features

| | |
|-------------------------|--------------------------------|
| Type of cover: | Slotted cover |
| Cover material: | Stainless steel 14301 |
| Colour of cover: | silver |
| Width of cover: | 138 mm |
| Length of cover: | 138 mm |
| Min. flooring height: | 10 mm |
| Frame material: | Stainless steel 14301 |
| Locking: | screwed |
| Load class: | K 3 (EN 1253-1) |
| Rim width: | 150 mm |
| Rim length: | 150 mm |
| Max. flooring height: | 17 mm |
| Upper section: | adjustable in three dimensions |
| Upper section material: | ABS |
| Odour trap: | included |