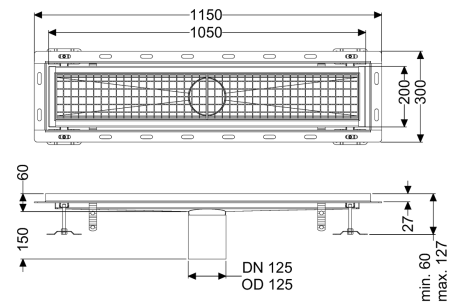


Ferrofix box channel tile connect. angle profile, 200x1050mm



Article information

Item no.: 6320100
 GTIN: 4026092099131
 Price group: 80

Advantages

- The channel profile is suitable for installation situations with high thermal loads
- Made of particularly a hygienic and mechanically highly resistant stainless steel
- Variably combinable with suitable drain bodies

Description

The Ferrofix box channel made of stainless steel with a material thickness of 2.0 mm (pickled in the immersion bath) is equipped with polished visible ridges, longitudinal and transverse slopes, feet for height adjustment and stainless steel outlet nozzles. The channel profile is suitable for installation situations with high thermal loads. The tile connection angle profile protects against tile breakage at the edge.

Variant

Waterproofing layer on the upper section: Tile connection angle

General characteristics

Nominal size (DN): 125
 Outer diameter (OD): 125 mm

Dimensions

Length: 1050 mm
 Width: 200 mm
 Height: 60 mm

Coverage features

Type of cover: Slotted cover
 Colour of cover: silver
 Locking: placed

Load class: L 15 (EN 1253-1)
Slip resistance class: R12 according to DIN 51130; C according to DIN 51097
Upper section material: Stainless steel 14301