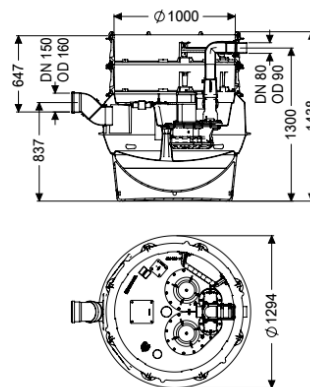


Pumping station Aquapump XL Duo, SPF 1400-S3



Article information

Item no.: 8742004
 GTIN: 4026092068595
 Price group: 60

Advantages

- Maximum safety
- Flexible installation
- Hygienic advantages for maintenance and repair

Description

The pumping station for wastewater with and without sewage is equipped with one or two submersible pumps, a backflow preventer and a shut-off valve for the pressure pipe. The collection tank made of permanently resistant polymer (PE) has a closed pump tank (dry installation) with a screwed-on access cover. The station is controlled by a user-friendly control unit, which is optionally integrated in the building management system via a potential-free contact. Alternatively, alarm and collective fault messages can be output via a GSM interface. The KESSEL modular system provides different upper sections and engineering chamber options as accessories.

Variant

| | |
|-----------------------------|---------------------------------|
| Note on installation depth: | Version for deeper installation |
| Type of system: | duo pump |
| Shut-off valve: | Shut-off valve made of polymer |
| Access steps: | yes |
| Installation: | Dry installation |
| Pump control: | Control unit |
| Backflow preventer: | integrated |
| Pressure pipe connection: | horizontal |

General characteristics

| | |
|---------------------|-------------|
| Colour: | black |
| Standard: | EN 12050-1 |
| Type of wastewater: | with sewage |

| | |
|--|--|
| Installation situation: | underground installation |
| Delivery state: | Pre-mounted for final assembly on site (pumps and sensor system must be fitted on site and control unit must be connected) |
| System type: | Duo |
| Dimensions | |
| Net weight: | 204 kg |
| Gross weight: | 228 kg |
| Groundwater resistant from lower edge of base section: | 3000 mm |
| Length: | 1295 mm |
| Width: | 1295 mm |
| Height: | 1403 mm |
| Packaging dimension: | length |
| Packaging dimension: | width |
| Packaging dimension: | height |
| Tank/drain body | |
| Pressure pipe connection (DN): | 80 |
| Pressure pipe connection (OD): | 90 mm |
| Venting connection (DN): | 70 |
| Distance from centre of outlet pipe to tank bottom: | 1300 mm |
| Distance pipe bottom inlet to tank bottom: | 753 mm |
| Distance from centre of inlet pipe to tank bottom: | 833 mm |
| Distance from inlet pipe invert to top of tank: | 650 mm |
| Inlet nominal size (OD): | 160 mm |
| Inlet nominal size (DN): | 150 mm |
| Number of inlets: | 1 |
| Clear width of tank (LW): | 1000 mm |
| Pumping volume: | 160 l |
| Tank volume: | 335 l |
| Pumping device | |
| Pump: | SPF 1400 |
| Number of pumps: | 2 |
| Weight, pump: | 25 kg |
| Connection type: | coded plug |
| Rated current: | 7,3 A |
| Length of mains cable for pump: | 10 m |
| Protection class: | I |
| Insulation class: | F |
| Cos phi - power factor: | 0,98 |
| Protection class (pump): | IP 68 (3m/48h) |
| Temperature monitoring: | integrated |
| Max. temperature (permanent) of conveyed material: | 40 °C |
| Max. pumping capacity: | 38 m ³ /h |

| | |
|--------------------------------|--------------------------------|
| Max. pumping height: | 7 m |
| Speed: | 1370 U/min |
| Power P1: | 1,6 kW |
| Power P2: | 1,1 kW |
| Operating mode: | S3 - 50 % |
| Type of pump connection cable: | H07RN-F 3G 1.5 mm ² |
| Impeller type: | Multi-vane impeller |
| Free passage: | 40 mm |

Control

| | |
|---|----------------|
| Control unit: | Comfort |
| Alarm sensor: | Immersion pipe |
| Level measurement instrument: | Immersion pipe |
| Type of level measurement: | pneumatic |
| Protection class control unit: | IP 54 |
| Operating voltage: | 230 V |
| Connection type: | coded plug |
| Length of mains cable for control unit: | 1,4 m |
| Potential-free contact: | optional |
| GSM interface: | yes |
| USB interface: | yes |
| Log book function: | yes |
| Multi-line display: | yes |
| Battery buffering: | yes |
| Self-diagnosis system (SDS): | yes |
| Rated current: | 7,3 A |