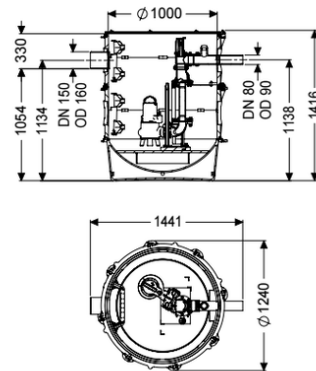


Pumping station Aquapump XL Tronic, GTF 1600-S1



Article information

Item no.: 8743020
 GTIN: 4026092075746
 Price group: 60

Advantages

- Maximum safety
- Flexible installation
- Also handles large quantities of wastewater

Description

The pumping station without sewage wastewater is equipped with one or two submersible pumps and a backflow preventer. The collection tank made of permanently resistant polymer (PE) has an open pump tank with universal connection options. Quick-release closures enable the integrated components to be removed easily. The KESSEL modular system provides different engineering chamber options as accessories for the further layout. Stainless steel pump removal chains available as accessory for each installation depth - Article number:

680528 = Length 2 m 680529 = Length 3 m
 680530 = Length 4 m 680531 = Length 5 m

Variant

Note on installation depth:

Type of system:

Shut-off valve:

Passage seal for conduit pipe (DN):

Access steps:

Passage seal for ventilation pipe (DN):

Installation:

Rim width:

Backwater protection:

Pressure pipe connection:

in combination with a chamber module

Single unit

Shut-off valve made of polymer

100

yes

100

Wet installation

Control unit

integrated

horizontal

General characteristics

Colour:	black
Standard:	EN 12050-2 as well as EN 12050-1 (without ATEX requirements)
Type of wastewater:	for wastewater with or without sewage (in installation situations without ATEX requirements)
Installation situation:	underground installation
Delivery state:	Pre-mounted for final assembly on site (pumps and sensor system must be fitted on site and control unit must be connected)
System type:	Tronic

Dimensions

Net weight:	151 kg
Gross weight:	174 kg
Groundwater resistant from lower edge of base section:	3000 mm
Length:	1370 mm
Width:	1240 mm
Height:	1416 mm
Packaging dimension:	length
Packaging dimension:	width
Packaging dimension:	height

Tank/drain body

Pressure pipe connection (DN):	80
Pressure pipe connection (OD):	90 mm
Distance from centre of outlet pipe to tank bottom:	1134 mm
Distance pipe bottom inlet to tank bottom:	1054 mm
Distance from centre of inlet pipe to tank bottom:	1134 mm
Distance from inlet pipe invert to top of tank:	330 mm
Number of inlets:	150 mm
Inlet nominal size (DN):	160 mm
Inlet nominal size (DN):	150 mm
Inlet type:	1
Clear width of tank (LW):	1000 mm
Pumping volume:	350 l

Pumping device

Pump control:	GTF 1600
Number of pumps:	1
Weight:	27 kg
Connection type:	Direct connection
Rated current:	2,9 A
Length of mains cable for pump:	10 m
Self-diagnosis system (SDS):	I
Insulation class:	H

Cos phi - power factor:	0,72
Protection class control unit:	IP 68 (20m)
DSC:	integrated
Max. temperature (permanent) of conveyed material:	40 °C
Max. pumping capacity:	49 m ³ /h
Max. pumping height:	9,3 m
Speed:	2900 U/min
Power P1:	1,6 kW
Power P2:	1,2 kW
Operating mode:	S1
Type of pump connection cable:	H07RN-F 7G 1.5 mm ²
Impeller type:	Multi-vane impeller
Control	
Control unit:	Comfort
Motor protection switch:	yes
Alarm sensor:	Level sensor
Level measurement instrument:	Level sensor
Type of level measurement:	hydrostatic
Protection class probe:	IP 54
Mains frequency:	50 Hz
Operating voltage:	400 V
Connection type:	Direct connection
Potential-free contact:	yes
GSM interface:	yes
Log book function:	yes
Multi-line display:	yes
Battery buffering:	yes
Self-diagnosis system (SDS):	yes
Rated current:	2,9 A